

Steca Tarom MPPT 6000

The Steca Tarom MPPT 6000 solar charge controller sets new standards in the area of Maximum Power Point charge controllers. Outstanding efficiency along with unique safety features make it a universal top-grade charge controller.

There are two available inputs to be used either in parallel or separately. Different module arrays can be flexibly combined using one charge controller.

With an input voltage of up to 200 V, all kinds of solar modules can be used in various connection schemes. This charge controller combines high flexibility, maximum yields, professional battery care and an appealing design on the basis of advanced technology.

Product features

- Line compensation by sensor cables
- Robust metal casing
- Two independent maximum power point trackers (MPP trackers)
- Voltage and current regulation
- PWM control
- Temperature compensation
- Monthly maintenance charge
- Two strings
- Adjustable cut-off voltages
- Battery type: gel / liquid

Electronic protection functions

- Overcharge protection
- Deep discharge protection
- Reverse polarity protection of module and battery
- Automatic electronic fuse
- Open circuit protection without battery
- Reverse current protection at night
- Overtemperature and overload protection
- PE connection
- Earth fault monitoring

Displays

- Multifunction graphical LCD display with backlighting
- Configuration via display unit

Options

- External temperature sensor

Certificates

- Compliant with European Standards (CE)
- RoHS compliant
- Made in Germany
- Developed in Germany
- Manufactured according to ISO 9001 and ISO 14001



Steca PA TS-S
External
temperature sensor

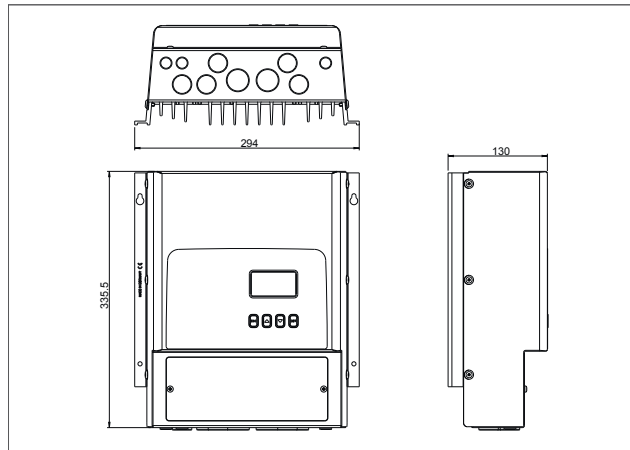


SURTEC
Les spécialistes
de l'autonomie énergétique

Areas of application:



70 A



MPPT 6000	
Characterisation of the operating performance	
System voltage	12 V / 24 V / 48 V
Nominal power	850 W / 1,700 W / 3,400 W
Max. efficiency	> 98 %
Own consumption	2 W
DC input side	
MPP voltage / string	17 V ... 170 V
Open circuit voltage solar module / string (at minimum operating temperature)	20 V ... 200 V
Module current	2 x 30 A
DC output side	
Charge current	60 A
End of charge voltage	13.9 V / 27.8 V / 55.6 V
Boost charge voltage	14.4 V / 28.8 V / 57.6 V
Equalisation charge	14.7 V / 29.4 V / 58.8 V
Reconnection voltage (LVR)	12.5 V / 25 V / 50 V
Deep discharge protection (LVD)*	11.5 V / 23 V / 46 V
Operating conditions	
Ambient temperature	-25 °C ... +50 °C
Fitting and construction	
Set battery type	liquid (adjustable via menu)
Terminal (fine wire)	30 mm ² - AWG 3
Degree of protection	IP 31
Dimensions (X x Y x Z)	295 x 335 x 125 mm
Weight	approx. 6,300 g

* Master only

Technical data at 25 °C / 77 °F