

Pure Sinewave Inverter 700W

RoHS Compliant
Directive 2002/95/EC



Pure sinewave



Digital display



Power save mode



Remote control port



High frequency technology



Light weight perfect for vehicles



Multiple electronic protection

Applications

- Telecom Power Plants
- Marine & other rugged environments
- Electric Utilities and Substations
- Base Station Power
- Industrial Controls
- Solar Home Systems
- Fuel Cell Applications
- Solar / Alternative Power Systems
- Emergency Power Backup (UPS)
- Pleasure and holidays
- Development aid
- Office equipment
- Power tools

Sinewave Inverter

Series JAZZ pro 700W

Description

The model 700W pure sinewave inverter supplies a 230VAC output voltage either from a 12V, 24V, or 48 VDC power source. The shape of the output voltage is pure sinewave - as from the grid.

All new High Frequency Switching Design offers high power and reliability in a compact package and light weight.

Extra input and output filtering reduce EMI to extremely low levels. Reliability features include an input fuse, thermal shutdown, current limiting and output short circuit shutdown.

The input and output is fully isolated.

The superb overload capability supplies short time peak power to start heavy equipment such as pumps and compressors.

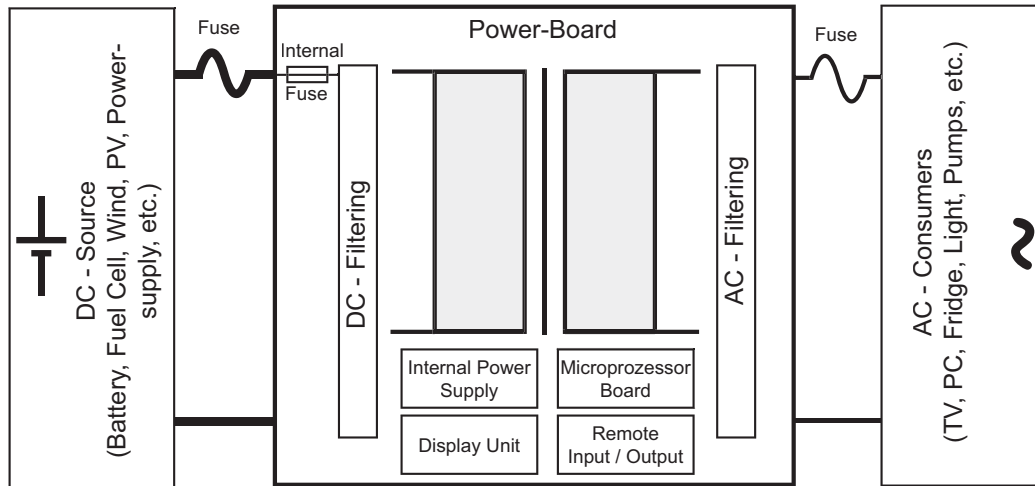
The LCD display shows current operating conditions. Optional features include a Remote Control.

Features

- Fully Isolated Design
- Outstanding efficiency at full load
- Crystal controlled output frequency
- Pure and fast regulated sinewave output
- Low ripple on the DC-Input to save battery life time
- Digital display (6 functions): VAC, AMP, WATT, VDC, TEMP, frequency and error message
- Over-temperature shutdown
- Short circuit protection
- Low input voltage protection
- Cycle by cycle current limiting
- Softstart
- Power save mode with auto sense
- Load and temperature controlled fan
- Remote control port
- Optional 115VAC version available
- 24 month parts and labour warranty



Block Diagram



Specifications (Specifications Subject to Change Without Notice)

Electrical (output)

Output Voltage (VAC)	200 - 220 - 230 - 240 +/- 3% (selectable)
Output Frequency (Hz)	50 - 60 +/- 0.05% (selectable)
Continous Output Power (W)	700
Output Power for 3 min. (W)	780
Surge Rating (W)	1400
Output Waveform	Pure Sinewave < THD 3%
Protection circuitry	Short circuit, Overload, Overtemperature
Indicators	OTP, OLP, VAC, AMP, WATT, Hz
Power Factor	0.7 - 1 (COS Phi)

Environmental Specifications

Operating Temp. Range	-20° to +60°C Derating Linearly 4% per °C from 40°C
Humidity	0 - 95% Relative Humidity (non-condensing)
Audible Noise	Scarcely audible @ 1m (Fan OFF)
Fan	Load and temperature controlled
Isolation	Input-Output 1100VDC, Input-Case 1100VDC Output-Case 500VDC

Electrical (input)

Input Voltage (VDC)	12	24	48
Voltage Range (VDC)	10.5 - 16	21.5 - 32	42 - 62
Amps @ Pnom (A)	64	31	15.5
Protection circuitry	Over Voltage, Under Voltage		
No Load Current Draw (A)	0.83	0.43	0.22
Power save mode (A)	0.25	0.15	0.08
Efficiency max.	94%	95%	95%
Efficiency @full load	92%	93%	94%
Indicators	OVP, UVP, VDC		

Mechanical Specifications

Length	29.9 cm
Width	17.9 cm
Height	8.1 cm
Clearance	2.5 cm all around
Material	Aluminium
Finish	Anodize / Powder Epoxy Coat
Weight	2.8 Kg
Connections	DC-clamps, SCHUKO or IEC AC-connector (IEC Connector supplied with inverter)
Warranty	2 years
Standards	Approval to CE, LVD

Available from:



RIPEnergy

The power conversion company

RIPEnergy AG
Wägitalstrasse 24
CH-8854 Siebnen
Switzerland

Ph +41-(0)43-818 53 85
Fax +41-(0)43-818 53 87
www.ripenergy.ch