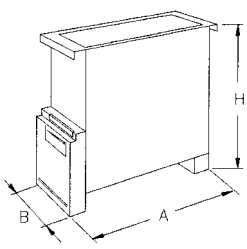
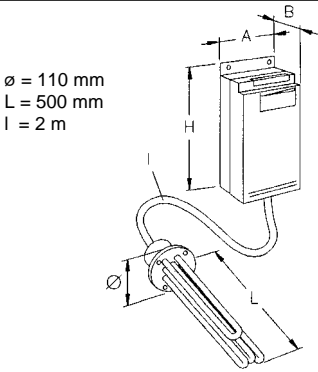
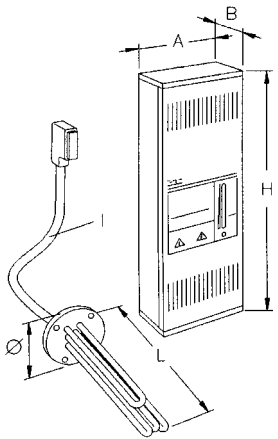
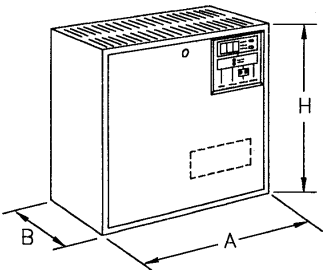


TYPE	P_{max} (kW)	A (mm)	B (mm)	H (mm)	V (m ³)	W (kg)
	2	690	225	625	0.097	22
 <p> $\varnothing = 110 \text{ mm}$ $L = 500 \text{ mm}$ $l = 2 \text{ m}$ </p>	2	200	105	365	0.012	7
 <p> RMP5000/B $\varnothing = 110 \text{ mm}$ $L = 500 \text{ mm}$ $l = 3.5 \text{ m}$ </p> <p> RMP10-12000/B $\varnothing = 190 \text{ mm}$ $L = 670 \text{ mm}$ $l = 3.5 \text{ m}$ </p>	5 10 12	260	140	600	0.022	8
	0,5	420	200	350	0.030	15