



S12-230AGM 12V 210Ah (C20)



CONSTANT CURRENT DISCHARGE (AMPS)

CUT OFF VOLTAGE V/CELL	30M	45M	1H	2H	3H	5H	8H	10H	12H	20H	24H
1.75V	195.3	143.9	115.8	64.3	47.6	33.3	22.9	18.9	16.1	10.5	8.8

CAPACITY in AH (C20)	RESERVE CAPACITY		CCA	
	@25AMPS	@75 AMPS	CCA@0°C	CCA@-18°C
210	400 Mins.	105 Mins.	1425	1180

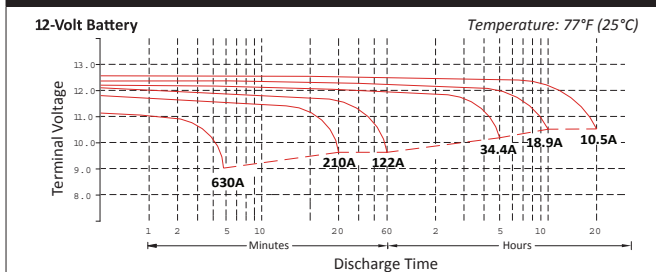
SPECIFICATIONS

Nominal Voltage		12 Volt
Rated Capacity (20 Hour Rate)		210AH
DIMENSIONS	Total Height (Including Terminals)	240mm
	Height	218mm
	Length	530mm
	Width	209mm
Weight		60.5Kg

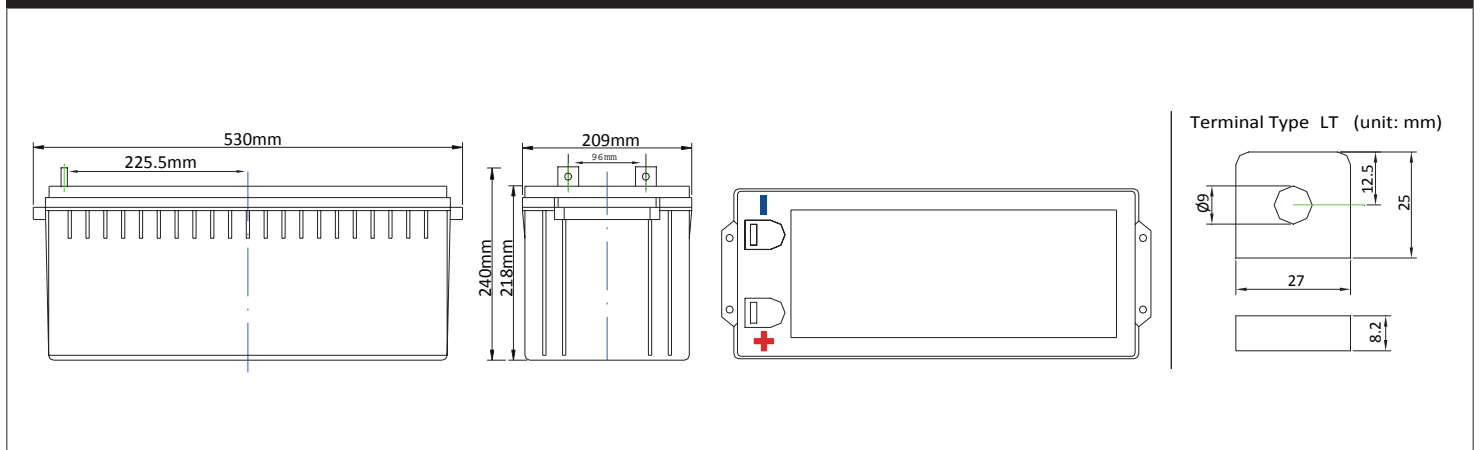
CHARACTERISTICS

Capacity 25°C (77°F)	20 Hour Rate (10.5A to 10.5 Volts)	210AH
	10 Hour Rate (18.9A to 10.5Volts)	189AH
	5 Hour Rate (34.4A to 10.2 Volts)	172AH
Internal Resistance	Full Charged Battery 25°C (77°F)	2.3mΩ
Capacity Affected by Temperature (20 Hour Rate)	40°C (104°F)	102%
	25°C (77°F)	100%
	0°C (32°F)	85%
	-15°C (5°F)	65%
Self-Discharge 25°C (77°F)	Capacity after 3 Month Storage	91%
	Capacity after 6 Month Storage	82%
	Capacity after 12 Month Storage	64%
Max. Discharge Current 25°C (77°F)	2000A (5s)	
Terminal	Standard	Lug Terminal (LT)
Charging (Constant Voltage)	Cycle	Initial Charging Current ≤ 0.2 x C20 14.5V ~ 14.9V/25°C(77°F)
	Float	13.6V ~ 13.8V/25°C(77°F)

DISCHARGE CHARACTERISTICS



SIZE & DETAILED ILLUSTRATION



This information is generally descriptive only and is not intended to make or imply any representation, guarantee or warranty with respect to any cells and batteries. Cell and battery designs/specifications are subject to modifications without notice. Contact Rolls Battery for the latest information.

