

Pure Sinewave Inverter 3000W

RoHS Compliant
Directive 2002/95/EC

ISO 9001



Benefits

- Quiet Operation
- Power for sensitive electronics, without interference
- Pure Sinewave Output
- Multiple electronic protection functions
- Remote Control available
- Light weight and compact size
- Rugged & Reliable
- Years of safe and trouble free operation

Applications

- Telecom Power Plants
- Marine & other rugged environments
- Electric Utilities and Substations
- Base Station Power
- Industrial Controls
- Solar Home Systems
- Fuel Cell Applications
- Solar / Alternative Power Systems
- Emergency Power Backup (UPS)
- Pleasure and holidays
- Development aid
- Office equipment
- Power tools

Sinewave Inverter

Series HIPHOP pro 3000W

Description

The model 3000W pure sinewave inverter supplies a 230VAC output voltage either from a 24V or 48 VDC power source. The shape of the output voltage is pure sinewave - as from the grid.

All new High Frequency Switching Design offers high power and reliability in a compact package and light weight.

Extra input and output filtering reduce EMI to extremely low levels. Reliability features include an input fuse, thermal shutdown, current limiting and output short circuit shutdown.

The input and output is fully isolated.

The superb overload capability supplies short time peak power to start heavy equipment such as pumps and compressors.

The LCD display shows current operating conditions. Optional features include a Remote Control.

Features

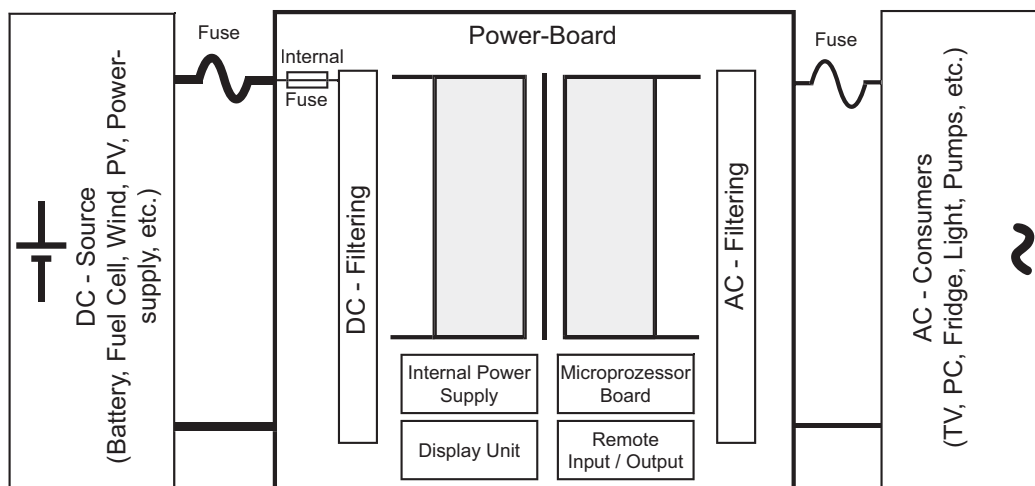
- Fully Isolated Design
- Outstanding efficiency at full load
- Crystal controled output frequency
- Pure and fast regulated sinewave output
- Low ripple on the DC-Input to save battery life time
- Power save mode with auto sense
- Digital display (6 functions): VAC, AMP, WATT, VDC, TEMP, frequency and error message
- Over-temperature shutdown
- Short circuit protection
- Low input voltage protection
- Cycle by cycle current limiting
- Softstart
- Load and temperature controlled fan
- RS – 232C interface
- 24 month parts and labour warranty

Options

- Remote Control
- Protection IP43
- 115VAC output voltage



Block Diagram



Specifications (Specifications Subject to Change Without Notice)

Electrical (output)

Output Voltage (VAC)	200 - 240 +/- 2% (adjustable)
Output Frequency (Hz)	50 - 60 +/- 0.05% (selectable)
Continous Output Power (W)	3000
Output Power for 3 min. (W)	3200
Surge Rating (W)	6000
Output Waveform	Pure Sinewave < THD 3%
Protection circuitry	Short circuit, Overload, Overtemperature
Indicators	OTP, OLP, VAC, AMP, WATT, Hz

Environmental Specifications

Operating Temp. Range	-20° to +60°C Derating Linearly 4% per °C from 40°C
Humidity	0 - 95% Relative Humidity (non-condensing)
Audible Noise	NONE, 0db @ 1m (Fan OFF)
Fan	Temperature controlled
Isolation	Input-Output 1100VDC, Input-Case 1100VDC Output-Case 500VDC

Electrical (input)

Input Voltage (VDC)	24	48
Voltage Range (VDC)	20 - 32	42 - 62
Amps @ Pnom (A)	137	68
Protection circuitry	Over Voltage, Under Voltage	
No Load Current Draw (A)	0.9	0.57
No Load Current sleep (A)	0.06	0.03
Efficiency max.	90%	92%
Efficiency @full load	87%	90%
Indicators	OVP, UVP, VDC	

Mechanical Specifications

Length	53.5 cm
Width	28.5 cm
Height	10.2 cm
Clearance	2.5 cm all around
Material	Aluminium
Finish	Anodize / Powder Epoxy Coat
Weight	11.4 Kg
Connections	DC-clamps, AC-clamps, AC-connector (Connector supplied with inverter)
Warranty	2 years
Safety	Meets EN 60950-1
Standards	Approval to CE, LVD

Distributed by:



SURTEC solaire . éolien

9 Rue des Artisans
38560 Champ Sur Drac

Tél.: 04 76 98 83 57 Fax: 04 76 98 79 04
Email: surtec@surtec.fr Internet: www.surtec.fr